

METAL JOINTS 02



CODE NUMBERING (제품코드 기입 예)

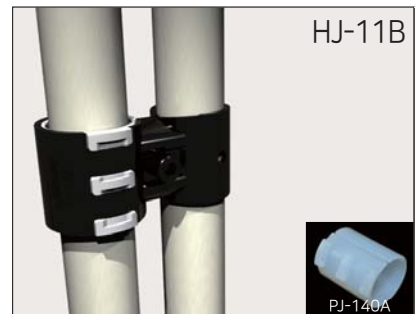
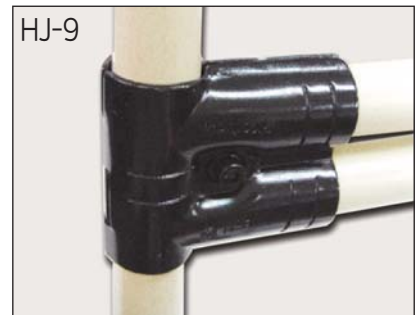
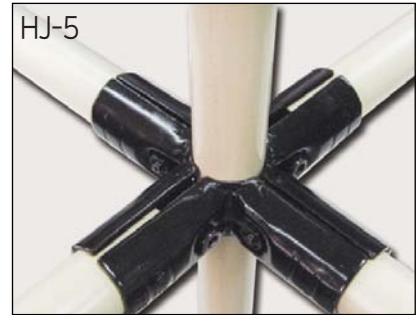
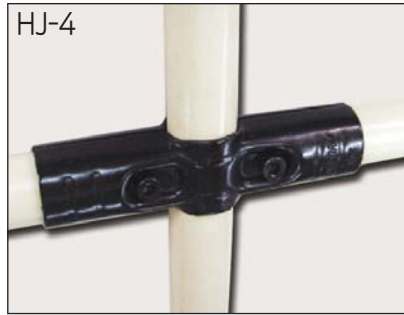
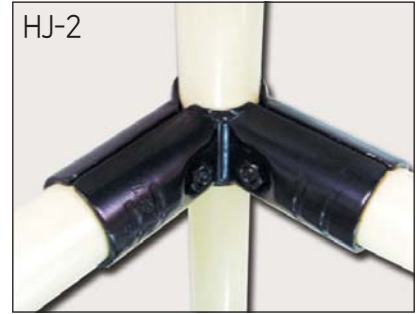
| | |
|-----------------------|--|
| Product Code Examples | MJ-2101BK / METAL JOINT H-1 / BLACK (전착) |
| | MJ-2101SV / METAL JOINT H-1 / SILVER (Zn 3가아연도금) |
| | MJ-2101NI / METAL JOINT H-1 / NICKEL (니켈도금) |

SURFACE TREATMENT (표면처리)

| ITEM | COLOR | TREATMENT |
|------|----------|---------------------------|
| BK | BLACK ■ | ELECTRODEPOSITION COATED |
| SV | SILVER ■ | TRIVALENT CHROMIUM PLATED |
| NI | NICKEL ■ | NICKEL PLATED |

METAL JOINT SET

 BLACK (BK)
  SILVER (SV)
  NICKEL (NI)



METAL JOINT SET



BLACK (BK)



SILVER (SV)



NICKEL (NI)

METAL JOINT SET



HJ-12



HJ-13



HJ-14



HJ-15



HJ-16



HJ-16B



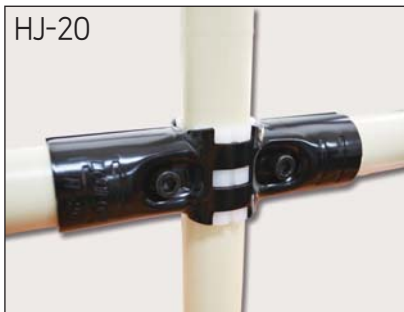
HJ-17



HJ-18



HJ-19



HJ-20



HJ-21



HJ-22



HJ-23



HJ-45



HJ-108



HJ-162

METAL JOINT SET



BLACK (BK)



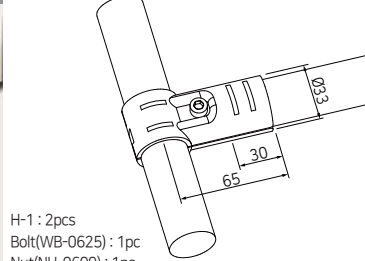
SILVER(SV)



NICKEL(NI)

HJ-1

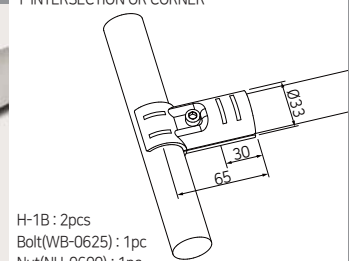
90° JOINT TO FORM T-INTERSECTION OR CORNER



H-1 : 2pcs
Bolt(WB-0625) : 1pc
Nut(NU-0600) : 1pc

HJ-1B

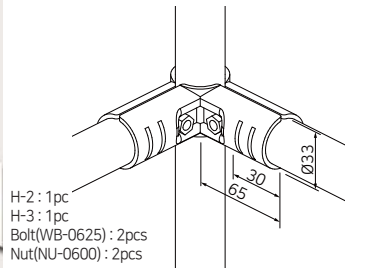
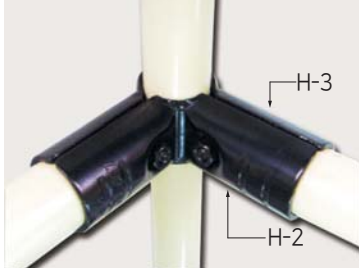
90° JOINT OPEN TO FORM T-INTERSECTION OR CORNER



H-1B : 2pcs
Bolt(WB-0625) : 1pc
Nut(NU-0600) : 1pc

HJ-2

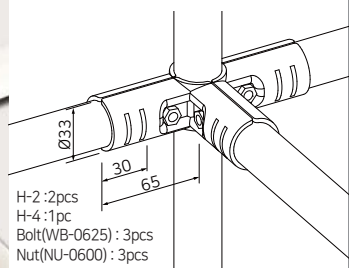
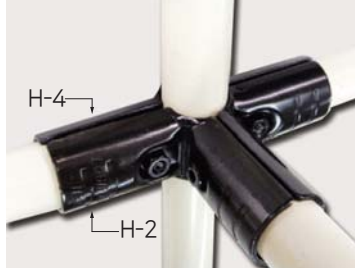
INSIDE CORNER JOINT TO FORM 3 WAY PIPE INTERSECTION



H-2 : 1pc
H-3 : 1pc
Bolt(WB-0625) : 2pcs
Nut(NU-0600) : 2pcs

HJ-3

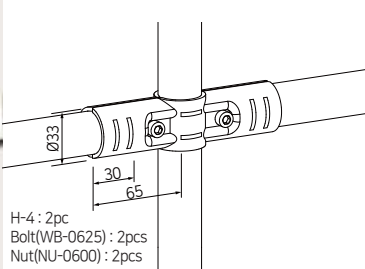
OUTSIDE CORNER JOINT TO FORM 4 WAY PIPE INTERSECTION



H-2 : 2pcs
H-4 : 1pc
Bolt(WB-0625) : 3pcs
Nut(NU-0600) : 3pcs

HJ-4

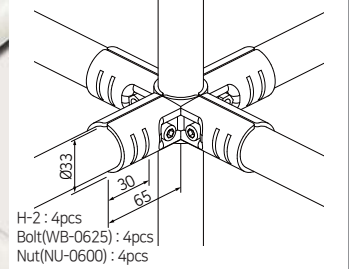
EXTENDER SUPPORT JOINT TO FORM CROSS AND 3 WAY PIPE INTERSECTION



H-4 : 2pc
Bolt(WB-0625) : 2pcs
Nut(NU-0600) : 2pcs

HJ-5

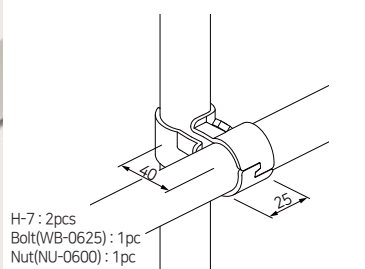
INSIDE CORNER JOINT TO FORM 5 WAY PIPE INTERSECTION



H-2 : 4pcs
Bolt(WB-0625) : 4pcs
Nut(NU-0600) : 4pcs

HJ-6

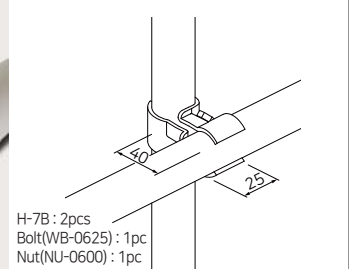
INTERSECT JOINT, DOUBLE LOCK TO FORM CROSS AND 2 WAY PIPE INTERSECTION



H-7 : 2pcs
Bolt(WB-0625) : 1pc
Nut(NU-0600) : 1pc

HJ-6B

INTERSECT JOINT, SINGLE LOCK TO FORM CROSS AND 2 WAY PIPE INTERSECTION



H-7B : 2pcs
Bolt(WB-0625) : 1pc
Nut(NU-0600) : 1pc

METAL JOINT SET



METAL JOINT SET

| | | | |
|--------------------|---|---------------------|---|
| <p>HJ-7</p> | <p>MULTI ANGLE JOINT EXTENSION, TO FORM AN ANGLE INTERSECTION</p> <p>H-5 : 2pcs H-6 : 2pcs Bolt(WB-0625) : 2pcs Nut(NU-0600) : 2pcs</p> | <p>HJ-7B</p> | <p>MULTI ANGLE JOINT INTERIOR, TO FORM AN ANGLE INTERSECTION</p> <p>H-6 : 2pcs H-6B : 2pcs Bolt(WB-0625) : 3pcs Nut(NU-0600) : 3pcs</p> |
|--------------------|---|---------------------|---|

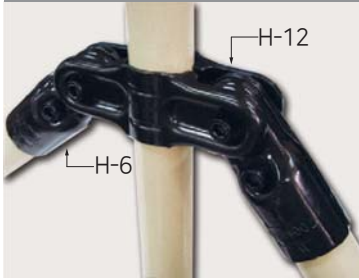
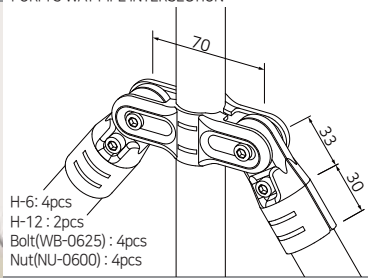

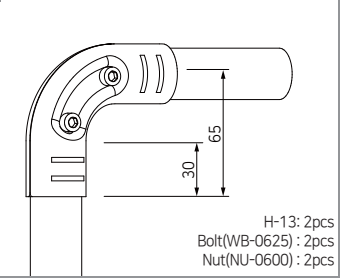
| | | | |
|--------------------|---|--------------------|--|
| <p>HJ-8</p> | <p>PARALLEL PIPE JOINT</p> <p>H-8 : 2pcs Bolt(WB-0625) : 1pc Nut(NU-0600) : 1pc</p> | <p>HJ-9</p> | <p>DOUBLE 90° PARALLEL PIPE JOINT TO CONNECT PARALLEL PIPE TO A SINGLE PIPE</p> <p>H-9 : 2pcs Bolt(WB-0625) : 1pc Nut(NU-0600) : 1pc</p> |
|--------------------|---|--------------------|--|


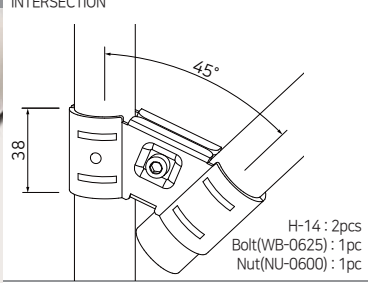

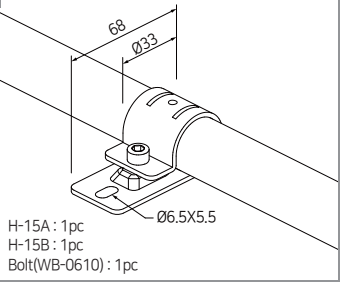
| | | | |
|---------------------|--|---------------------|---|
| <p>HJ-10</p> | <p>90° HINGE JOINT, SLIDING JOINT TO 2 WAY PIPE INTERSECTION</p> <p>H-10 : 2pcs PJ-140A : 1pc Bolt(WB-0625) : 1pc Nut(NU-0600) : 1pc</p> | <p>HJ-11</p> | <p>DOUBLE HINGE JOINT TO CONNECT PARALLEL PIPE</p> <p>H-11 : 2pcs PJ-140A : 2pcs Bolt(WB-0625) : 1pc Nut(NU-0600) : 1pc</p> |
|---------------------|--|---------------------|---|


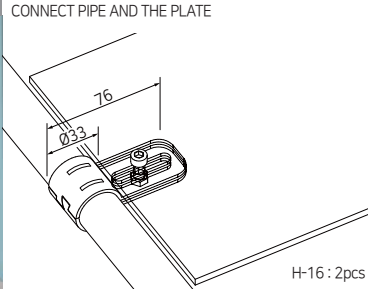

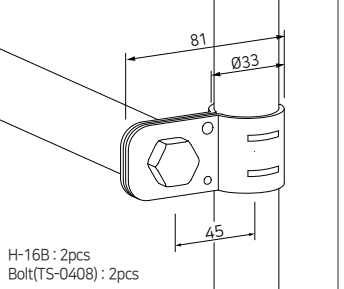
| | |
|----------------------|---|
| <p>HJ-11B</p> | <p>SINGLE HINGE JOINT TO CONNECT PARALLEL PIPE</p> <p>H-11B : 2pcs PJ-140A : 1pc Bolt(WB-0625) : 1pc Nut(NU-0600) : 1pc</p> |
|----------------------|---|


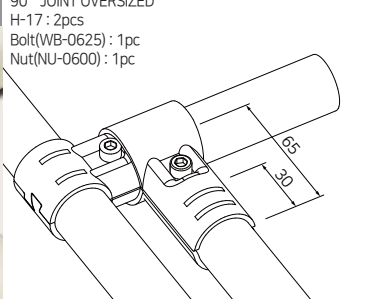

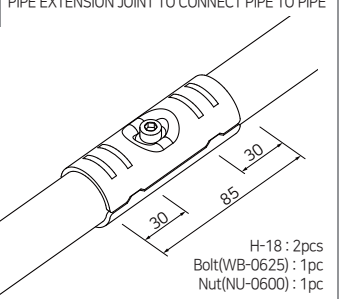
METAL JOINT SET

 BLACK (BK)
  SILVER(SV)
  NICKEL(NI)

| | | | |
|--|---|--|--|
| <p>HJ-12</p>  | <p>TWO SIDED MULTI ANGLE JOINT TO FORM 3 WAY PIPE INTERSECTION</p>  <p>H-6: 4pcs H-12: 2pcs Bolt(WB-0625): 4pcs Nut(NU-0600): 4pcs</p> | <p>HJ-13</p>  | <p>RADIUS JOINT TO FORM A BEND PIPE</p>  <p>H-13: 2pcs Bolt(WB-0625): 2pcs Nut(NU-0600): 2pcs</p> |
|--|---|--|--|

| | | | |
|--|--|--|---|
| <p>HJ-14</p>  | <p>45 ° SUPPORT JOINT TO FORM AN ANGLE INTERSECTION</p>  <p>H-14: 2pcs Bolt(WB-0625): 1pc Nut(NU-0600): 1pc</p> | <p>HJ-15</p>  | <p>MOUNTING CLAMP</p>  <p>H-15A: 1pc H-15B: 1pc Bolt(WB-0610): 1pc</p> |
|--|--|--|---|

| | | | |
|--|---|---|--|
| <p>HJ-16</p>  | <p>90 ° FLAT WITH SLOTTED JOINT TO CONNECT PIPE AND THE PLATE</p>  <p>H-16: 2pcs</p> | <p>HJ-16B</p>  | <p>FLAT SHELF HINGE JOINT</p>  <p>H-16B: 2pcs Bolt(TS-0408): 2pcs</p> |
|--|---|---|--|

| | | | |
|--|--|--|--|
| <p>HJ-17</p>  | <p>90 ° JOINT OVERSIZED</p>  <p>H-17: 2pcs Bolt(WB-0625): 1pc Nut(NU-0600): 1pc</p> | <p>HJ-18</p>  | <p>PIPE EXTENSION JOINT TO CONNECT PIPE TO PIPE</p>  <p>H-18: 2pcs Bolt(WB-0625): 1pc Nut(NU-0600): 1pc</p> |
|--|--|--|--|

METAL JOINT SET

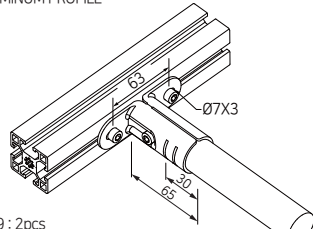
BLACK (BK) SILVER (SV) NICKEL (NI)

METAL JOINT SET

HJ-19



90° JOINT WITH FLAT END TO CONNECT ALUMINUM PROFILE

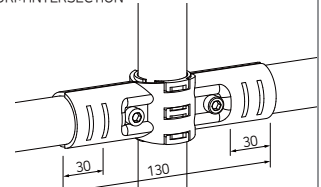


H-19 : 2pcs
Bolt(WB-0625) : 1pc
Nut(NU-0600) : 1pc
프로파일용 고정 BOLT, NUT는 별도 구매 제품입니다

HJ-20



EXTENDER SUPPORT SWIVEL JOINT TO FORM INTERSECTION



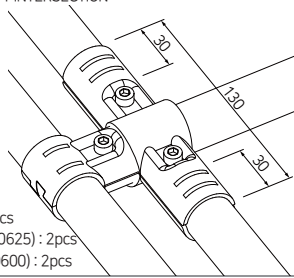
H-20 : 2pcs
PJ-140A : 1pc
Bolt(WB-0625) : 2pc
Nut(NU-0600) : 2pc



HJ-21



EXTENDER SUPPORT OVERSIZED JOINT TO FORM T INTERSECTION

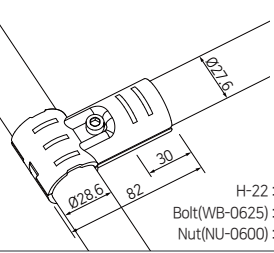


H-21 : 2pcs
Bolt(WB-0625) : 2pcs
Nut(NU-0600) : 2pcs

HJ-22



90° INTERCHANGEABLE JOINT (28mm/28.6mm) FOR CORNER OR T-INTERSECTION



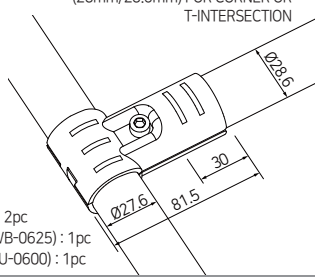
H-22 : 2pc
Bolt(WB-0625) : 1pc
Nut(NU-0600) : 1pc

NEW

HJ-23



90° INTERCHANGEABLE JOINT (28mm/28.6mm) FOR CORNER OR T-INTERSECTION



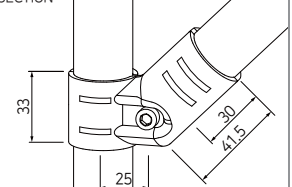
H-23 : 2pc
Bolt(WB-0625) : 1pc
Nut(NU-0600) : 1pc

NEW

HJ-45



45° SUPPORT JOINT TO FORM AN ANGLE INTERSECTION

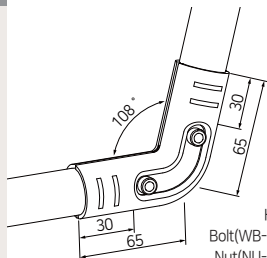


H-45A : 1pc
H-45B : 1pc
Bolt(WB-0625) : 1pc
Nut(NU-0600) : 1pc

HJ-108



108° JOINT TO FORM AN ANGLE TO BEND PIPE

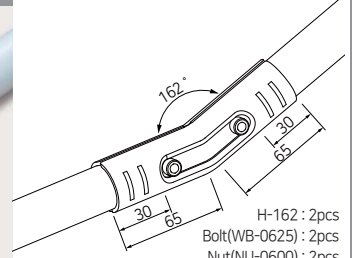


H-108 : 2pcs
Bolt(WB-0625) : 2pcs
Nut(NU-0600) : 2pcs

HJ-162



162° JOINT TO FORM AN ANGLE CONNECT TO PIPE



H-162 : 2pcs
Bolt(WB-0625) : 2pcs
Nut(NU-0600) : 2pcs